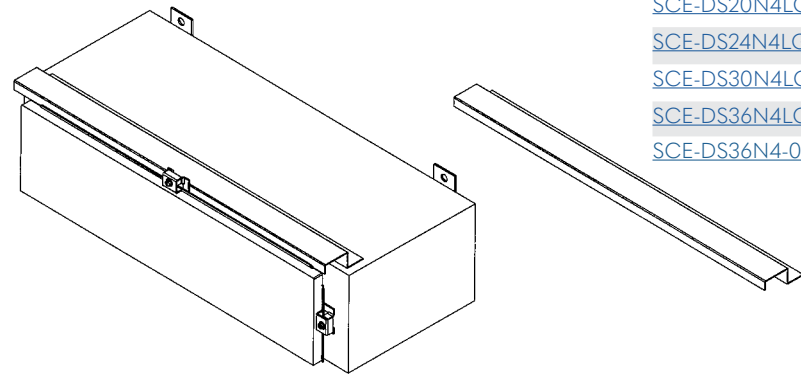


GENERAL ACCESSORIES

DRIP SHIELD KIT FOR TYPE 12 & 4 ENCLOSURES

Protects door against dripping water and settling dust. Stainless steel screws and sealing washers are supplied with each kit. Made of steel and powder coated.

Provided with UL Recognized sealing washer to maintain Environmental Rating of the enclosure.



Catalog No.	Fits Enclosure Width (B)	Finish	Product Code
SCE-DS12N4	12.00	ANSI-61 Gray	P2
SCE-DS16N4	16.00	ANSI-61 Gray	P2
SCE-DS20N4	20.00	ANSI-61 Gray	P2
SCE-DS24N4	24.00	ANSI-61 Gray	P2
SCE-DS30N4	30.00	ANSI-61 Gray	P2
SCE-DS36N4	36.00	ANSI-61 Gray	P2
SCE-DS42N4	42.00	ANSI-61 Gray	P2
SCE-DS48N4	48.00	ANSI-61 Gray	P2
SCE-DS60N4	60.00	ANSI-61 Gray	P2
SCE-DS72N4	72.00	ANSI-61 Gray	P2
SCE-DS12N4LG	12.00	RAL 7035 Gray	P2
SCE-DS16N4LG	16.00	RAL 7035 Gray	P2
SCE-DS20N4LG	20.00	RAL 7035 Gray	P2
SCE-DS24N4LG	24.00	RAL 7035 Gray	P2
SCE-DS30N4LG	30.00	RAL 7035 Gray	P2
SCE-DS36N4LG	36.00	RAL 7035 Gray	P2
SCE-DS36N4-05	36.00	SCE-05 White	P2

STAINLESS STEEL DRIP SHIELD KIT FOR TYPE 4X ENCLOSURES

Protects door against dripping water and settling dust. Furnished with stainless steel screws and sealing washers. Kit made of stainless steel Type 304.

Provided with UL recognized sealing washer to maintain Environmental Rating of the enclosure.

Catalog No.	Fits Enclosure Width (B)	Product Code
304 Stainless Steel		
SCE-DS12SS	12.00	P2
SCE-DS16SS	16.00	P2
SCE-DS20SS	20.00	P2
SCE-DS24SS	24.00	P2
SCE-DS30SS	30.00	P2
SCE-DS36SS	36.00	P2
SCE-DS42SS	42.00	P2
SCE-DS48SS	48.00	P2
SCE-DS60SS	60.00	P2
SCE-DS72SS	72.00	P2
316 Stainless Steel		
SCE-DS12SS6	12.00	P2
SCE-DS16SS6	16.00	P2
SCE-DS20SS6	20.00	P2
SCE-DS24SS6	24.00	P2
SCE-DS30SS6	30.00	P2
SCE-DS36SS6	36.00	P2
SCE-DS42SS6	42.00	P2
SCE-DS48SS6	48.00	P2
SCE-DS60SS6	60.00	P2
SCE-DS72SS6	72.00	P2

GENERAL ACCESSORIES

FOLDING SHELF

Folding shelves can be installed on the inside or outside of large enclosures. They are designed to support test equipment and programmers. Locks in the horizontal position. When not in use, shelf can be folded down. Made of heavy gauge steel and powder coated. "SS" parts are stainless steel Type 304 with #4 brush finish. For installation information, consult our installation manual at www.saginawcontrol.com.



Provided with UL recognized sealing washer to maintain Environmental Rating of the enclosure.

Catalog No.	Height	Width	Finish	Product Code
SCE-FS1212	12.00	12.00	SCE-05 White	P2
SCE-FS1212LG	12.00	12.00	RAL 7035 Gray	P2
SCE-FS1218	12.00	18.00	SCE-05 White	P2
SCE-FS1818	18.00	18.00	SCE-05 White	P2
SCE-FS2424	18.00	18.00	RAL 7035 Gray	P2
SCE-FS1212-09	24.00	24.00	SCE-05 White	P2
SCE-FS1818-09	12.00	12.00	ANSI-61 Gray	P2
SCE-FS2424-09	18.00	18.00	ANSI-61 Gray	P2
SCE-FS2424-09	24.00	24.00	ANSI-61 Gray	P2
Stainless Steel				
SCE-FS1212SS	12.00	12.00	#4 Brushed Finish	P2
SCE-FS1818SS	18.00	18.00	#4 Brushed Finish	P2
SCE-FS2424SS	24.00	24.00	#4 Brushed Finish	P2

ACCESSORY COLUMNS AND BASES

Catalog No.	Description	Depth	Width	Product Code
SCE-18SBASE	Pedestal Base	18.00	18.00	P2
SCE-24SBASE	Pedestal Base	24.00	24.00	P2
SCE-44CCOL	Straight Column	4.00	4.00	P2
SCE-44PBCOL	Angled Column	4.00	4.00	P2
SCE-66CCOL	Straight Column	6.00	6.00	P2
SCE-66PBCOL	Angled Column	6.00	6.00	P2
Stainless Steel				
SCE-18SBASESS	Pedestal Base, Stainless Steel	18.00	18.00	P2
SCE-24SBASESS	Pedestal Base, Stainless Steel	24.00	24.00	P2
SCE-44CCOLSS	Straight Column, Stainless Steel	4.00	4.00	P2
SCE-44PBCOLSS	Angled Column, Stainless Steel	4.00	4.00	P2
SCE-66CCOLSS	Straight Column, Stainless Steel	6.00	6.00	P2
SCE-66PBCOLSS	Angled Column, Stainless Steel	6.00	6.00	P2

Designed to allow enclosures to be floor-mounted. Columns can be mounted to either size base. Columns have flanges at each end and a gasketed access plate. Bases are to be bolted to the floor. Gasket and mounting hardware included. For technical information, consult the installation manual at www.saginawcontrol.com. Pedestals and bases are ANSI-61 gray powder coated. "SS" parts are stainless steel Type 304 with #4 brush finish.

